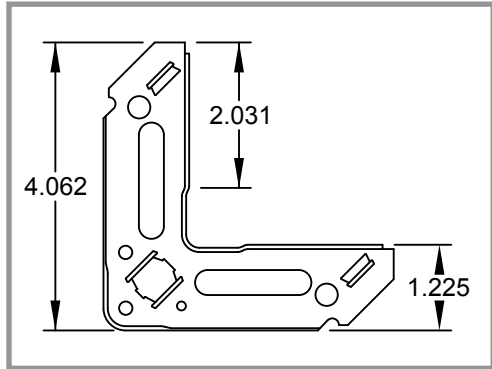


SUBMITTAL RECORD \_\_\_\_\_  
 JOB \_\_\_\_\_  
 LOCATION \_\_\_\_\_  
 SUBMITTED TO \_\_\_\_\_  
 SUBMITTAL PREPARED BY \_\_\_\_\_  
 APPROVED BY \_\_\_\_\_  
 DATE \_\_\_\_\_



# Submittal Form TDCS/TDFS Stackable Corners

## TDCS Stackable



## TDCS Stackable TDC Corners

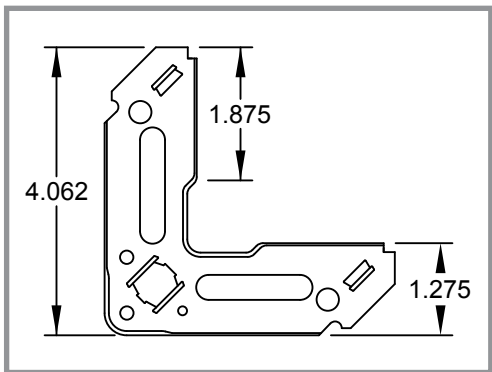
- Stackable TDC corners are for use in corner insertion machines
- Manufactured from 16-gauge steel
- Specialty metal gauges may vary
- TDC corners are designed for use on TDC connections
- Available to ship as Stacked or Unstacked



Item #	Code	Description	Packaging
21020	TDCS	Stackable TDC Corner	250/Box
21022	TDCUS	Unstacked Stackable TDC Corner*	250/Box
21265	DDCS-AL	Stackable TDC Cornermatic™ Corner - Aluminum	250/Box

\*20122 stackables are packed unstacked for manual insertion.

## TDFS Stackable



## TDFS Stackable TDF Corners

- Stackable TDF corners are for use in corner insertion machines
- Manufactured from 16-gauge steel. Specialty metal gauges may vary.
- TDF corners are designed for use on TDF connections.
- Available to ship as Stacked or Unstacked
- Nuts and Bolts are sold separately.



Item #	Code	Description	Packaging
21021	TDFS	Stackable TDF Corner	250/Box
21023	TDFUS	Unstacked Stackable TDF Corner*	250/Box

\*20123 stackables are packed unstacked for manual insertion.

